

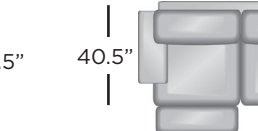








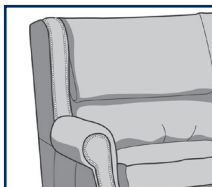
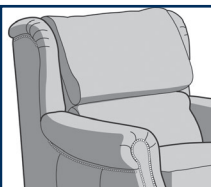
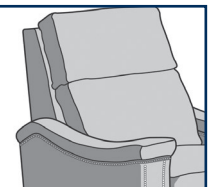
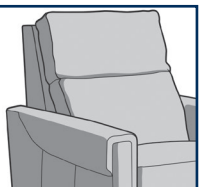
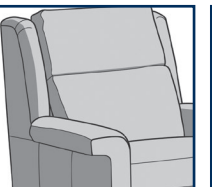
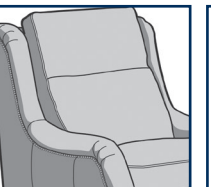
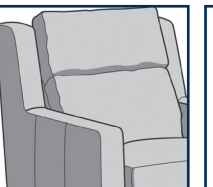
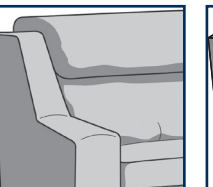
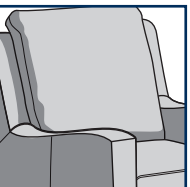
1 Choose your frame

*Dimensions will vary based on arm selection.
Dimensions are based on the Epic Arm and are approximate.

M116 sofa comes in two pieces.

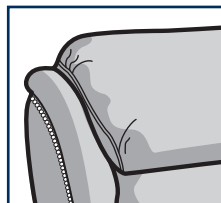
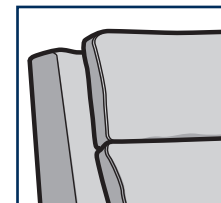
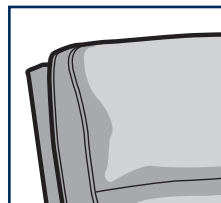
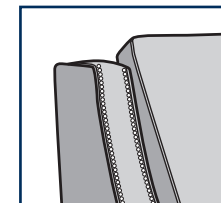
 M36 = Recliner 36" <input type="checkbox"/>	 M64 = Loveseat 64" <input type="checkbox"/>	 M90 = Sofa 90" <input type="checkbox"/>	 M116 = 4 Seat Sofa 116" <input type="checkbox"/>
 M21 = LAF Loveseat 56" <input type="checkbox"/>	 M22 = RAF Loveseat 56" <input type="checkbox"/>	 M13 = Quarter Round 48" <input type="checkbox"/>	 M31 = LAF Sofa 80" <input type="checkbox"/>
			 M32 = RAF Sofa 80" <input type="checkbox"/>

2 Choose your arm

								
EA (Epic Arm) 7.5" arm width *A nail standard <input type="checkbox"/>	WA (Westwood Arm) 7.5" arm width *A nail standard <input type="checkbox"/>	NA (Nordic Arm) 6.75" arm width .75" less per arm *A nail standard <input type="checkbox"/>	MA (Manning Arm) 6.25" arm width 1.25" less per arm *No nails <input type="checkbox"/>	GA (Ghent Arm) 7.5" arm width *No nails <input type="checkbox"/>	SA (Sundance Arm) 5" arm width 2.5" less per arm *A nail standard <input type="checkbox"/>	TA (Track Arm) 5.5" arm width 2" less per arm *No nails <input type="checkbox"/>	WT (Wide Track Arm) 9" arm width add 1.5" per arm *No nails <input type="checkbox"/>	AA (Ansel Arm) 6.5" arm width 1" less per arm *No nails <input type="checkbox"/>

3 Choose your back

*Need approximately 3" from wall for reclining position.

 BB = Bustle Back <input type="checkbox"/>	 SB = Split Back <input type="checkbox"/>	 OP = One Piece Back <input type="checkbox"/>	 PB = Plain Back <input type="checkbox"/>
---	--	---	--

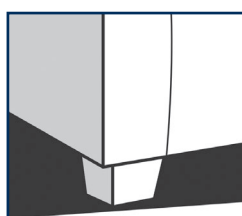
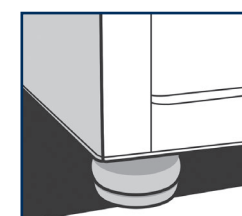
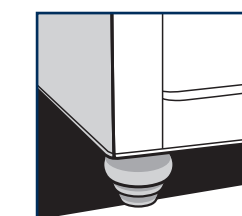
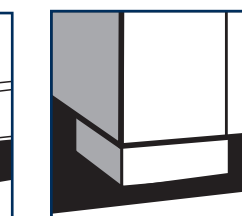
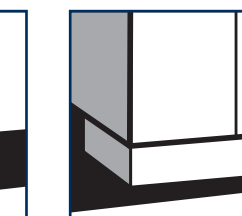
Power Switch

- Front two buttons adjust foot rest
- Back two buttons adjust head rest
- Center button is Home



4 Choose your base

*Small Block foot cannot be used on Nordic Arm.
*Wide Block foot is only available with the Wide Track Arm.

 T = Tapered Leg <input type="checkbox"/>	 B = Bun foot <input type="checkbox"/>	 R = Turned foot <input type="checkbox"/>	 *S = Small Block <input type="checkbox"/>	 *W = Wide Block <input type="checkbox"/>
--	---	---	---	--

5 Choose your power

PR Power Recliner <input type="checkbox"/>	PRB Power Recliner with Battery <input type="checkbox"/>
--	--

ALL STYLES IN THIS PROGRAM:

1. In addition to the regular reclining power, each style has a power articulating headrest and is only available with power.
2. Each style has a 4 button power switch with a home button with USB charger located on the inside of the arm.

**All lines below must be completed.
One sheet per item with the exception of sectionals.**

Step 1 - Choose your frame (M36 = chair)	M36	<input type="checkbox"/>
Step 2 - Choose your arm (EA)	EA	<input type="checkbox"/>
Step 3 - Choose your back (BB = Bustle Back)	BB	<input type="checkbox"/>
Step 4 - Choose your base (T = Tapered Leg)	T	<input type="checkbox"/>
Step 5 - Choose your power (PR = Power Recliner)	PR	<input type="checkbox"/>

Ex. Style Number = **M36 EA BB T PR**

Store _____

Contact _____

Email _____

Date _____ Purchase Order # _____

Style # _____

Cover _____

*Finish _____ *Nails _____

*Cushion Fill _____ Quantity _____