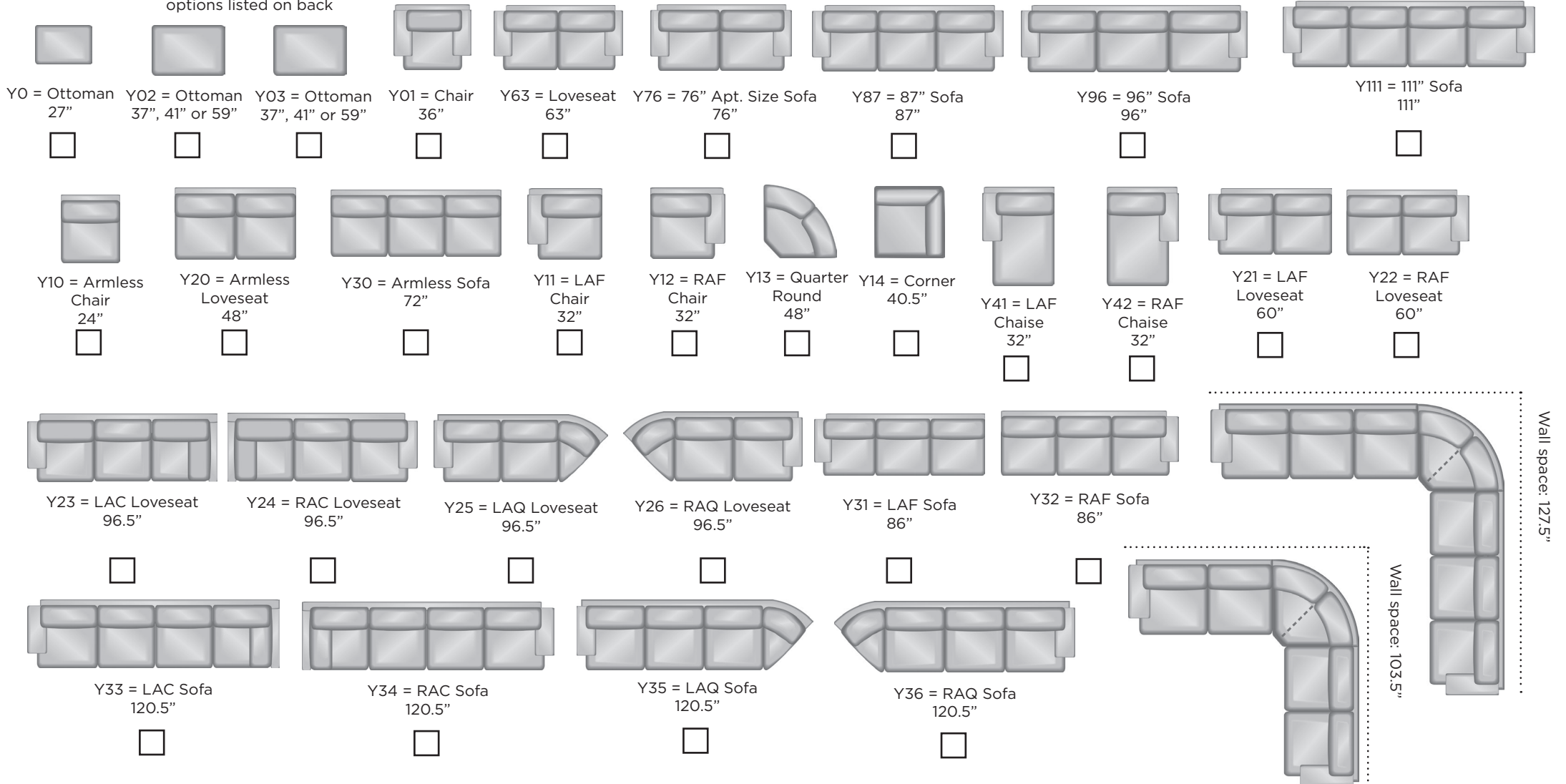


1

## Choose your frame

\*Dimensions will vary based on arm selection. Dimensions are based on the standard depth and the Rolled Arm and are approximate.

O2 and O3 Ottoman base options listed on back



2

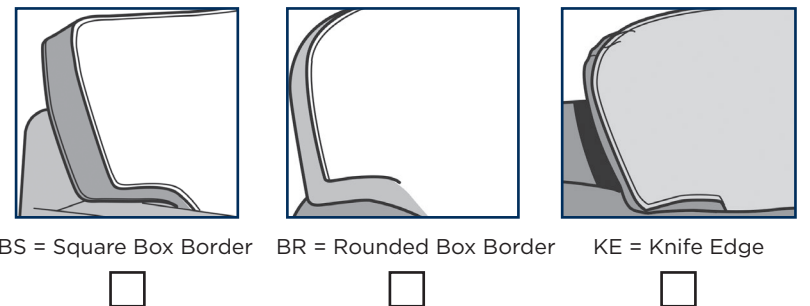
## Choose your depth

S = Standard Depth  D = Deeper Depth

Overall depth: 40.5"	Overall depth: 43"
Inside depth: 22.5"	Inside depth: 24.5"
Seat height: 20.5"	Seat height: 20.5"
Arm height: 26"	Arm height: 26"
Height: 38"	Height: 38"

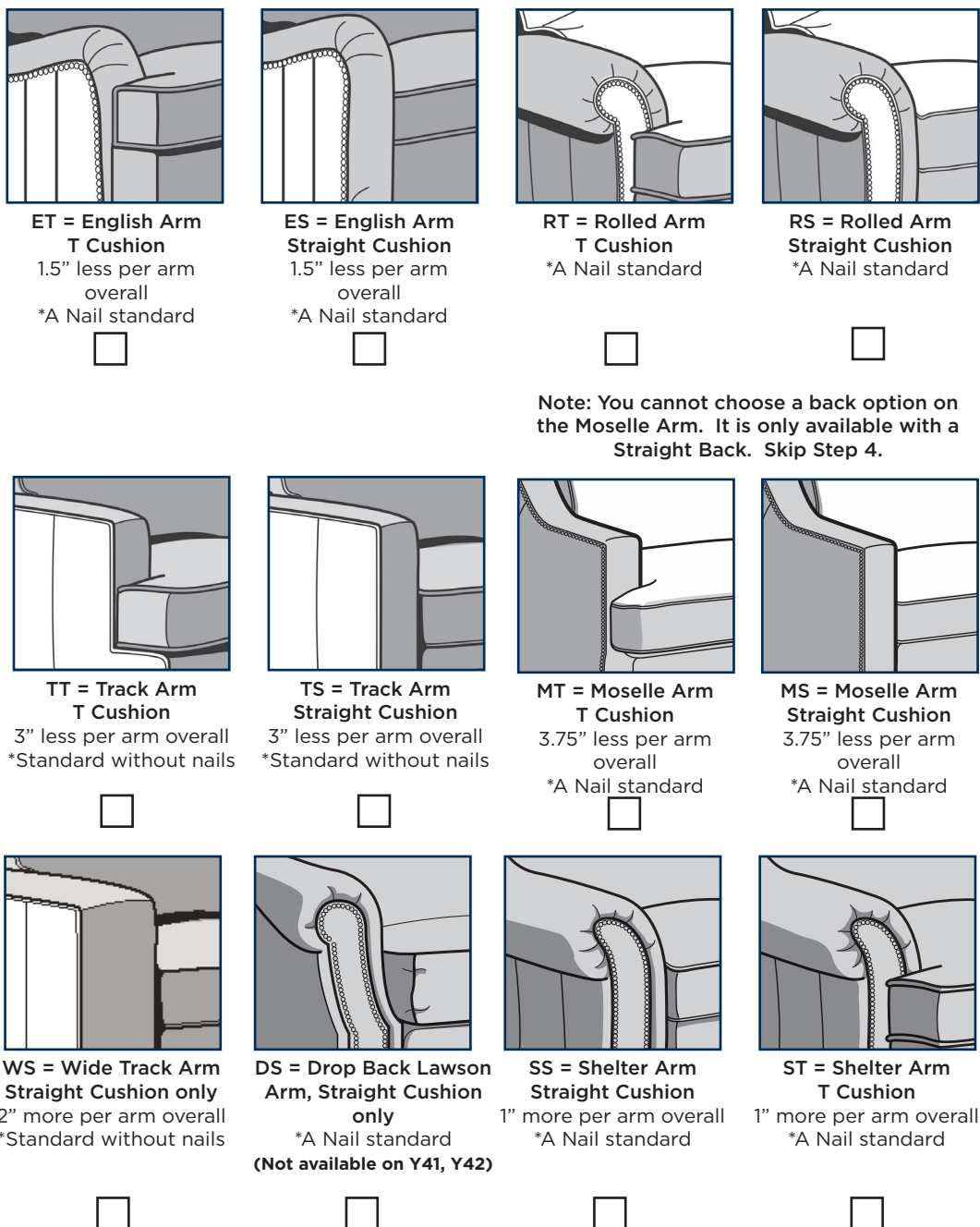
4

## Choose your back



3

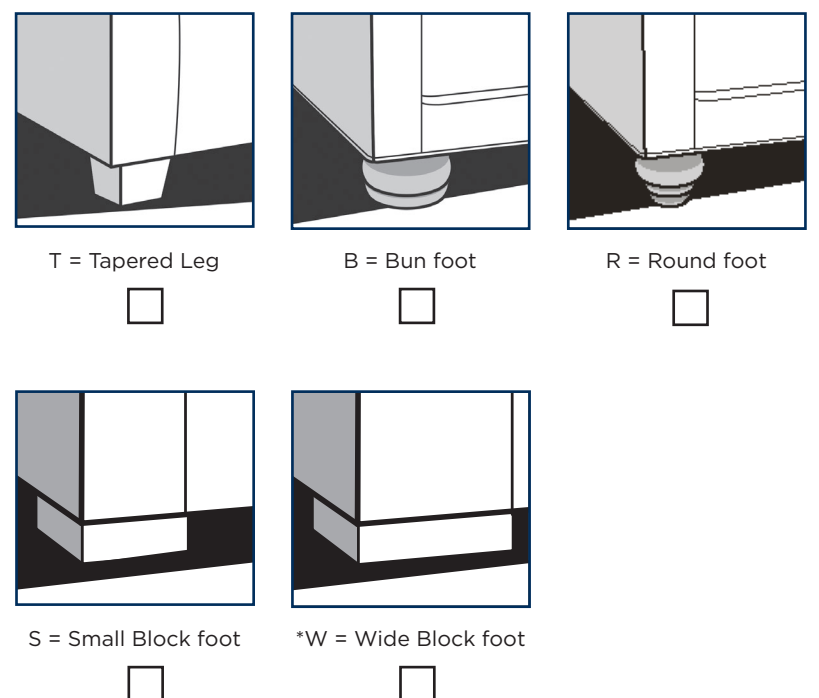
## Choose your arm



5

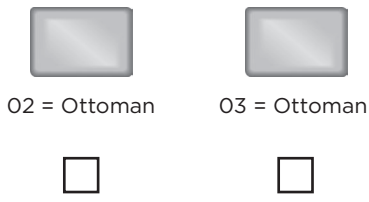
## Choose your base

\* Wide Block Foot is only available with Wide Track Arm

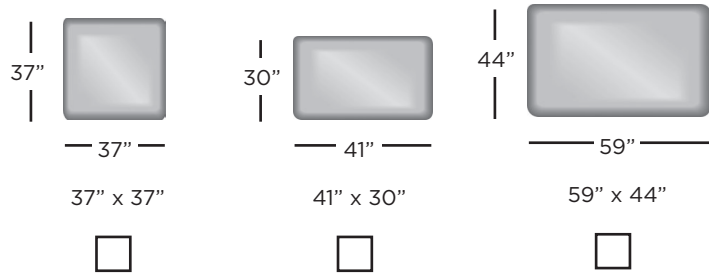


# Options for O2 and O3 Cocktail Ottomans

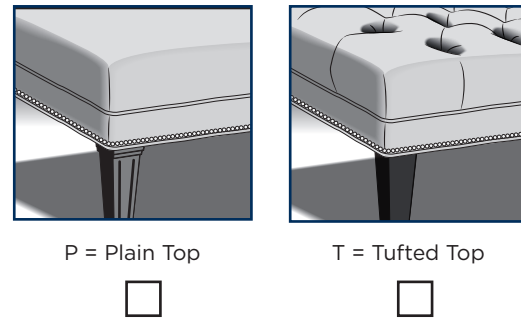
## 1 Choose your frame



## 2 Choose your size

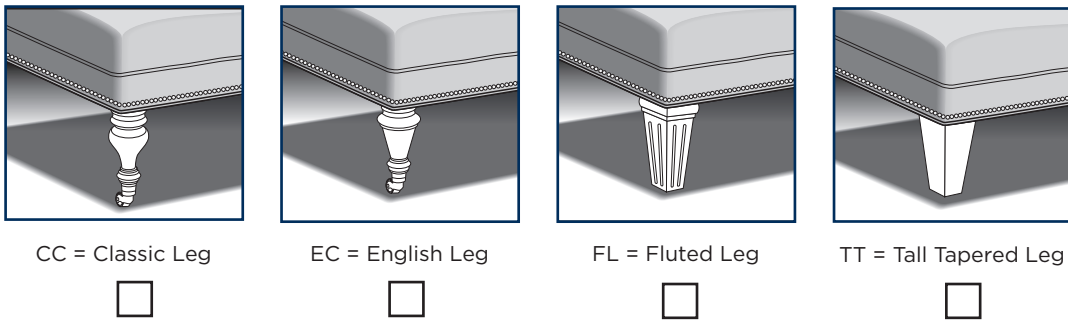


## 4 Choose your top

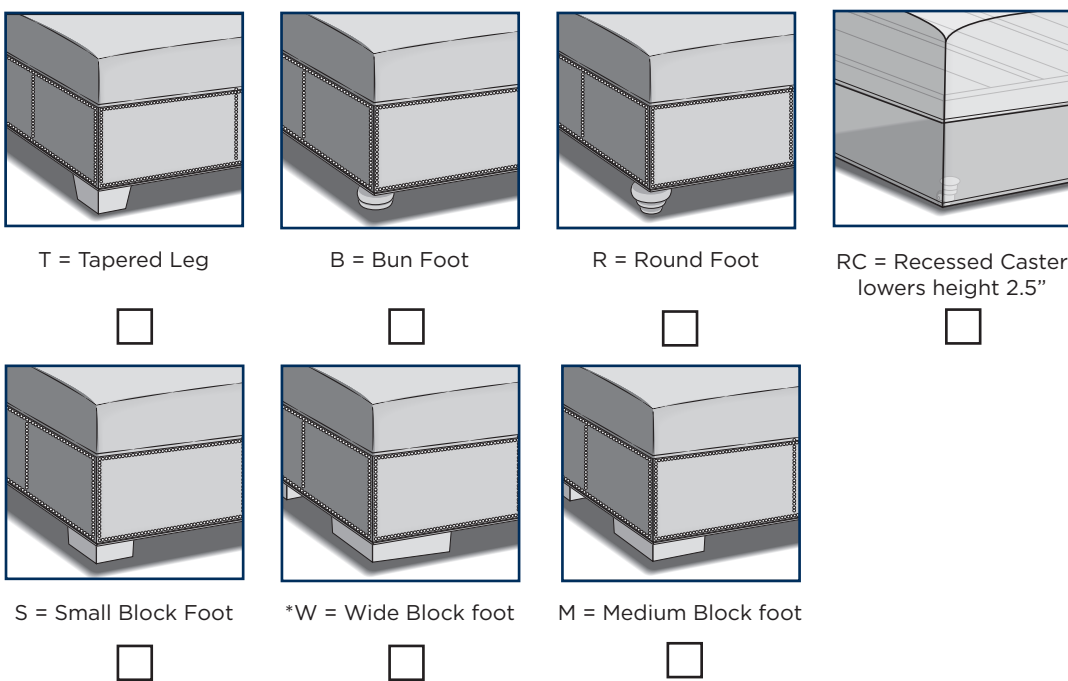


## 3 Choose your base

Base options for O2 Your Way Cocktail Ottoman:

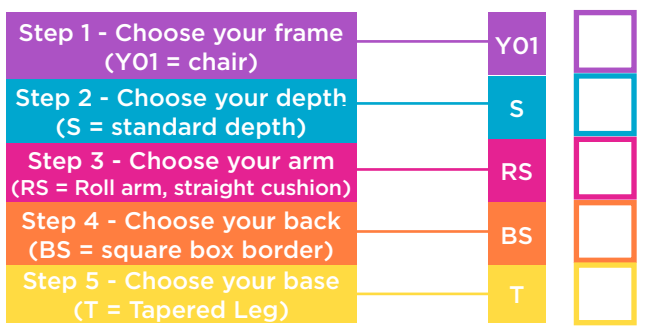


Base options for O3 Your Way Cocktail Ottoman:



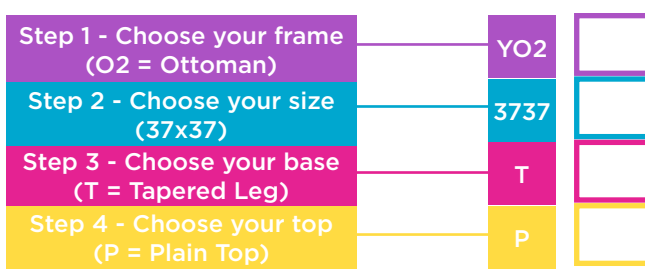
\* Recessed Casters only available on O3 Ottoman

Example ordering for front side of sheet:



Ex. Style Number = Y01 S RS BS T

Example ordering for cocktail ottomans:



Ex. Style Number = YO23737 T P

**\*\*All lines below must be completed. One sheet per item with the exception of sectionals.\*\***

Store \_\_\_\_\_  
 Contact \_\_\_\_\_  
 Email \_\_\_\_\_  
 Date \_\_\_\_\_ Purchase Order # \_\_\_\_\_  
 Style # \_\_\_\_\_  
 Cover \_\_\_\_\_  
 \*Finish \_\_\_\_\_ \*Nails \_\_\_\_\_  
 \*Cushion Fill \_\_\_\_\_ Quantity \_\_\_\_\_